



N4A single phase start-up guide

Please read through the following information prior to using your N4A.

Electrical specification

Input Voltage	
N4A03 (1-phase)	230V AC +/-10% 1PH
N4A06 (3-phase)	400V AC +/-10% 3PH
Input Frequency	
N4A03	45 – 65 Hz
N4A06	
Maximum Input Current	
N4A03	25Arms continuous
N4A06	16A per phase / 27A Neutral

The output of the N4A is not isolated with respect to ground and therefore neither of the 4mm output terminals should be connected to ground.

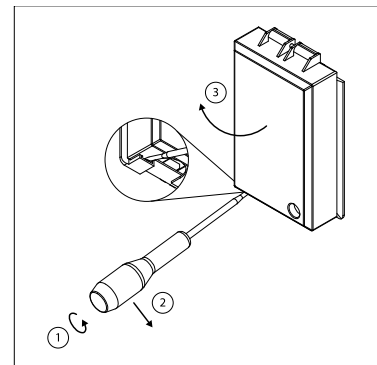
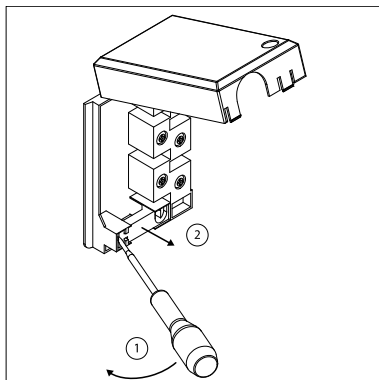
Input and output protection

It is recommended that thermal-magnetic circuit breakers are used on both the input and output of the N4A; the rating of these devices will depend on the application.

A residual-current device (RCD) is also recommended on the input of the N4A. The device should be a type B, rated at 30mA or higher.

Wiring

To open the input connector cover, insert a flathead screwdriver into the **two** square slots located on its underside. Rotate and pivot the screwdriver as shown.



Before securing the inlet wiring in place, the cable clip should be removed. To do this, use a flathead screwdriver and a pivoting motion to slide the clip out. Wire the connector up with reference to the diagram on the rear panel.

Ensure that the supplied BNC link cable is connected between PH1 GENERATOR OUTPUT and PH1 IN.

